

PERFORMANCE DATA SHEET NEMA PREMIUM NR CAN NEMA 12 - 12

Catalogue #: **MPOP-48**

| HP | kW | Voltage | S.F. @ 60Hz | EFF. | P.F. | Frame | Design | L.R. Amps |
|----|-------|---------|-------------|-------|------|-------|--------|-----------|
| 25 | 18.65 | 575 | 1.15 | 93.0% | 0.78 | 324T | B | 146 |

| 60 Hz | | | | | | | | Code | F.L. RPM |
|-------|-----|-----|-----|-----|-----|-------|--|------|----------|
| FLA | | | | | | | | | |
| 208 | 230 | 416 | 460 | 480 | 575 | 600 | | G | 1185 |
| / | / | / | / | / | 26 | 24.91 | | | |

| 50 Hz | | | | | | | | |
|-------|-----|-----|-------------|------------|--------------|------|----------|---|
| FLA | | | S.F. @ 50Hz | Efficiency | Power Factor | Code | F.L. RPM | |
| 190 | 380 | 415 | | | | | | / |
| / | / | / | / | / | / | / | / | |

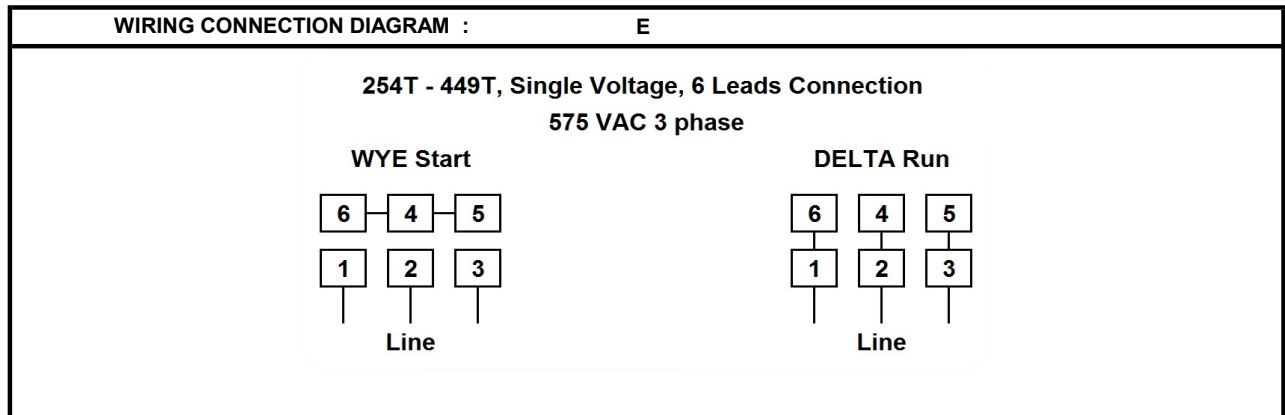
| Wgt. Lbs | PH | Duty | Insul. Class | Amb. | Elevation | Temp. Rise° C |
|----------|----|-------|--------------|------|-----------------|---------------|
| 508 | 3 | Cont. | F | 40°C | 1000M (3300 Ft) | < 80 |

| % Efficiency | | % Power Factor | | Torque | | Winding Resist. Ω | Safe Cold Start (Secs) |
|--------------|-------|----------------|------|------------------|-------|-------------------|------------------------|
| Full Load: | 93.0% | Full Load: | 0.78 | Full Load Ft/Lbs | 110.8 | | |
| 3/4 Load: | 92.5% | 3/4 Load: | 0.73 | Locked Rotor % | 180 | | |
| 1/2 Load: | 92.0% | 1/2 Load: | 0.62 | Break Down % | 260 | | |

| Rotor Inertia Wk2 Lb-Ft2 | Max Load Inertia Wk2 Lb-Ft2 | Shaft Material | Frame Material | DE Bracket Type | ODE Bracket Type | Enclosure | NEMA Rating | Lead Wire Size |
|--------------------------|-----------------------------|----------------|----------------|-----------------|------------------|-----------|-------------|----------------|
| 8.31 | 475 | Standard | Cast Iron | Standard | Standard | ODP | IP23 | 10AWG |

| Ball Bearings | | Grease | Mount Type | Orientation | Paint | Sound Pressure @ 3FT | Sound Power |
|---------------|------|-----------------|------------|-------------|-------|----------------------|-------------|
| DE | ODE | | | | | | |
| 6312 | 6312 | Mobil PolyrexEm | Rigid | Horizontal | Green | 72 | 83 |

| Inverter Duty. Motor meets MG1 parts 31.4.4.2 | Constant Torque Range | Variable Torque Range | Constant HP RPM |
|--|-----------------------|-----------------------|-----------------|
| | 10:1 | 20:1 | 1800 |

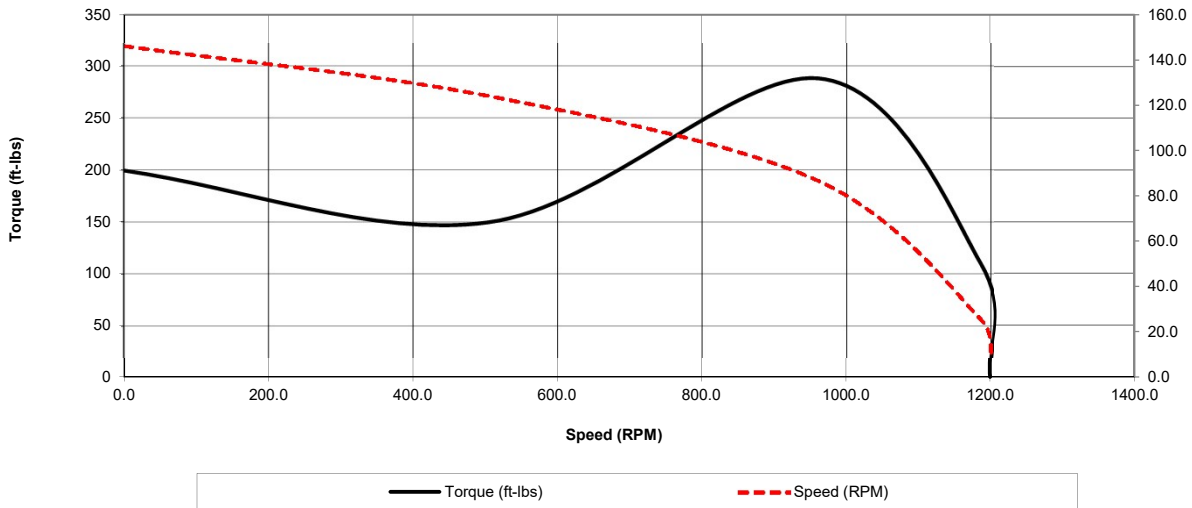


Date: 2020-02-18
 Customer: _____
 Contact: _____
 Submittee: J.C. Lavallée

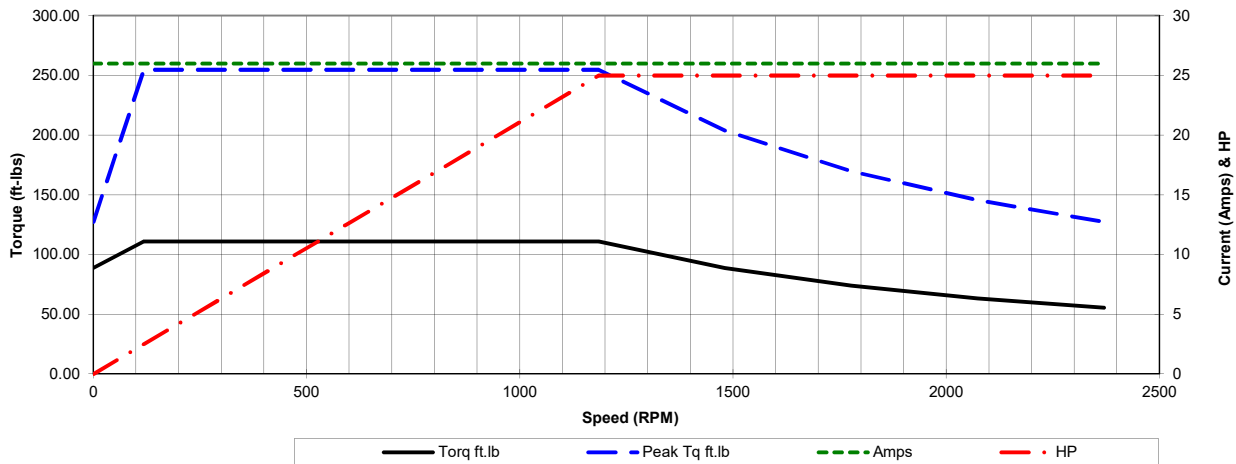
Catalogue #: **MPOP-48**

| NEMA PREMIUM NR CAN NEMA 12 - 12 | | | | | | | | | | |
|----------------------------------|--------------|---------|-----------|------------|-----------|--------------------------------------|---------|----------------|------------------|---------------|
| HP | VAC | RPM | Enclosure | Frame | Frequency | Design | Poles | LR Code Letter | Insulation Class | Temp. Rise °C |
| 25 | 575 | 1185 | ODP | 324T | 60 | B | 6 | G | F | < 80 |
| | 0Hz | 6Hz | 15Hz | 30Hz | 45Hz | 60Hz | 75Hz | 90Hz | 105Hz | 120Hz |
| Amps | 26 | 26 | 26 | 26 | 26 | 26 | 26 | 26 | 26 | 26 |
| RPM | 0 | 118.5 | 296.25 | 592.5 | 888.75 | 1185 | 1481.25 | 1777.5 | 2073.75 | 2370 |
| Torq ft.lb | 88.64 | 110.80 | 110.80 | 110.80 | 110.80 | 110.80 | 88.64 | 73.87 | 63.32 | 55.40 |
| Peak Tq ft.lb | 127.42 | 254.84 | 254.84 | 254.84 | 254.84 | 254.84 | 203.88 | 169.90 | 145.63 | 127.42 |
| HP | 0 | 2.5 | 6.3 | 12.5 | 18.8 | 25.0 | 25.0 | 25.0 | 25.0 | 25.0 |
| | Locked Rotor | Pull-Up | Breakdown | Rated Load | Idle | Duty | S. F. | Ambient | Elevation | dBa @ 1M |
| Speed (RPM) | 0.0 | 504 | 960 | 1185 | 1200 | Continuous | 1.15 | 40°C | 3300 ft | 72 |
| Current (Amps) | 146.0 | 124.1 | 86.9 | 26.0 | 9.9 | VFD Rating: Meets MG1 parts 31.4.4.2 | | | | |
| Torque (ft-lbs) | 199.4 | 149.6 | 288.1 | 110.8 | 0.0 | C.T. | 10:1 | V.T. | 20:1 | |

Motor Speed Data



Motor Torque Capability vs RPM





Date: 2020-02-18
 Customer: _____
 Contact: _____
 Submittee: J.C. Lavallée

Catalogue #: **MPOP-48**

| NEMA PREMIUM NR CAN NEMA 12 - 12 | | | | | | | | | | |
|----------------------------------|--------------|---------|-----------|------------|-----------|--------------------------------------|--------|----------------|------------------|---------------|
| HP | VAC | RPM | Enclosure | Frame | Frequency | Design | Poles | LR Code Letter | Insulation Class | Temp. Rise °C |
| 25 | 575 | 1185 | ODP | 324T | 60 | B | 6 | G | F | < 80 |
| Load % | 0% | 25% | 50% | 75% | 100% | 125% | 150% | | | |
| Amps | 9.88 | 11.10 | 15.39 | 20.31 | 26.00 | 32.27 | 36.88 | | | |
| Torq ft/lbs | 0 | 27.44 | 55.05 | 82.84 | 110.80 | 138.94 | 167.26 | | | |
| RPM | 0 | 1196.25 | 1192.5 | 1188.75 | 1185 | 1181.25 | 1177.5 | | | |
| Eff | 0 | 90.11 | 92.00 | 92.50 | 93.00 | 93.00 | 93.00 | | | |
| PF | 0 | 46.8 | 62 | 73 | 78 | 78 | 81.9 | | | |
| | Locked Rotor | Pull-Up | Breakdown | Rated Load | Idle | Duty | S. F. | Ambient | Elevation | dBa @ 1M |
| Speed (RPM) | 0 | 504 | 960 | 1185 | 1200 | Continuous | 1.15 | 40°C | 3300 ft | 72 |
| Current (Amps) | 146 | 124.1 | 86.9 | 26 | 9.88 | VFD Rating: Meets MG1 parts 31.4.4.2 | | | | |
| Torque (ft-lbs) | 199.44 | 149.58 | 288.08 | 110.80 | 0.0 | C.T. | 10:1 | V.T. | 20:1 | |

